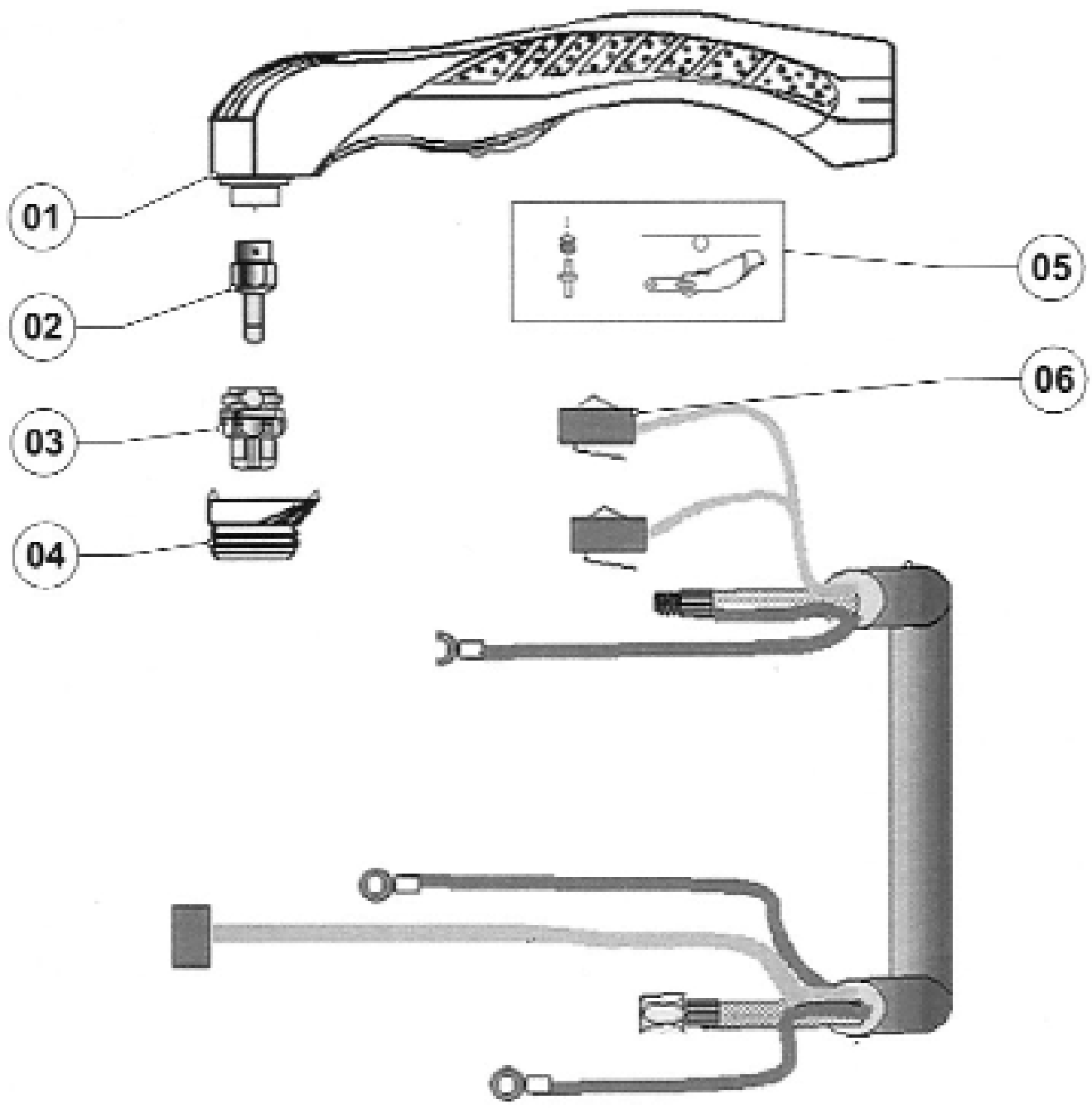


# Spare Parts & Consumables Information



**CEMONT**



Item	Part No:	Description
01	W000257323	Torch Body
02	W000050272	Electrode
03	W000050045	0.8 Cutting Tip (SHARP 6K/ PXK6)
03	W000220565	0.8 Cutting Tip (SHARP 10 / PX12)
04	W000050274	Protective Bush
05	W000257320	Safety Spring Set
06	W000183892	Torch Button

## SHARP 6K, 10 & PX12 PLASMA PARTS